



**V2 S.p.A.**

Corso Principi di Piemonte 65/67  
12035 RACCONIGI CN (ITALY)  
Tel. +39 0172 812411 - Fax +39 0172 84050  
info@v2home.com

[www.v2home.com](http://www.v2home.com)



# MOOV-BX



ZIS511  
IL 522  
EDIZ. 01/08/2019



**ATTUATORE ELETTROMECCANICO  
IRREVERSIBILE PER CANCELLI A  
BATTENTE**



**OPERATEUR  
ELECTROMECHANIQUE  
IRREVERSIBLE POUR PORTAILS  
BATTANTS**



**IRREVERSIBLE  
ELECTROMECHANICAL  
ACTUATOR FOR SWING GATES**



**OPERADOR ELECTROMECÁNICO  
IRREVERSIBLE PARA CANCELAS  
BATTIENTES**

FIG.1

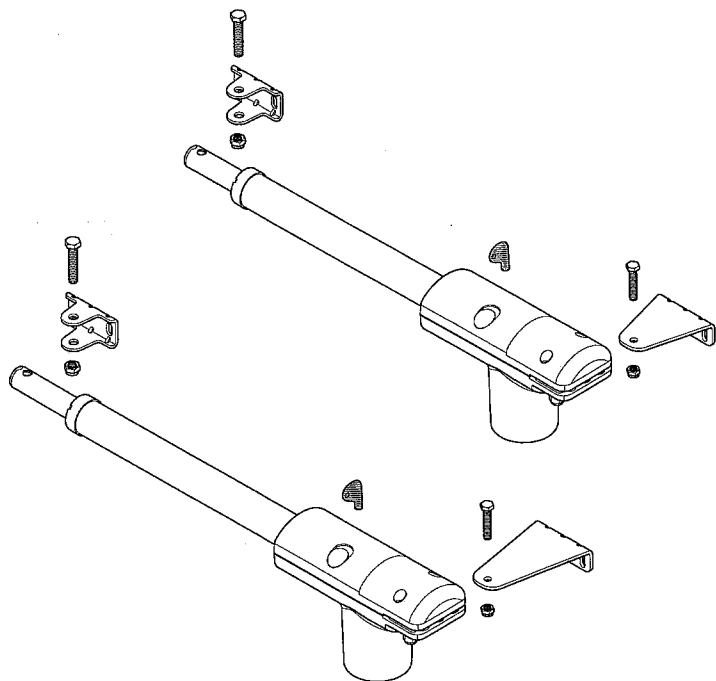


FIG.2

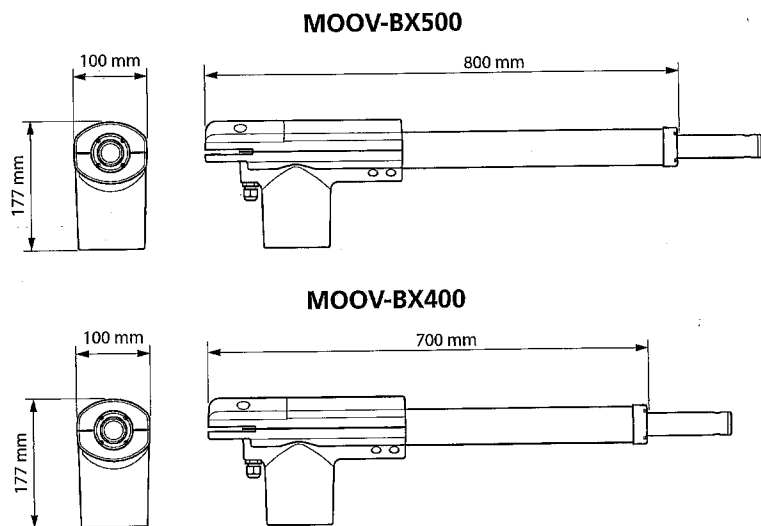
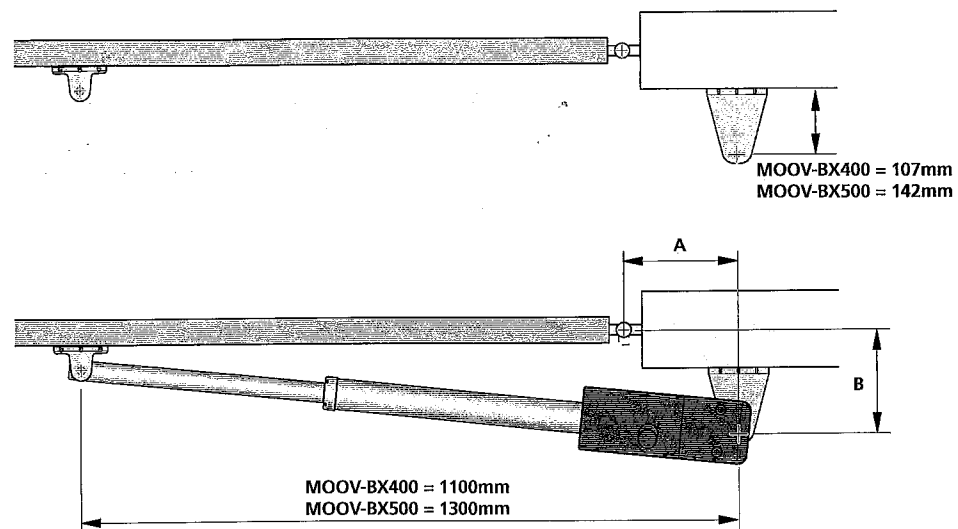


FIG.3



	$\alpha$	A	B
MOOV-BX400	90°	95	270
	90°	195	200
	110°	150	150
MOOV-BX500	90°	200	250
	110°	170	170

FIG.4

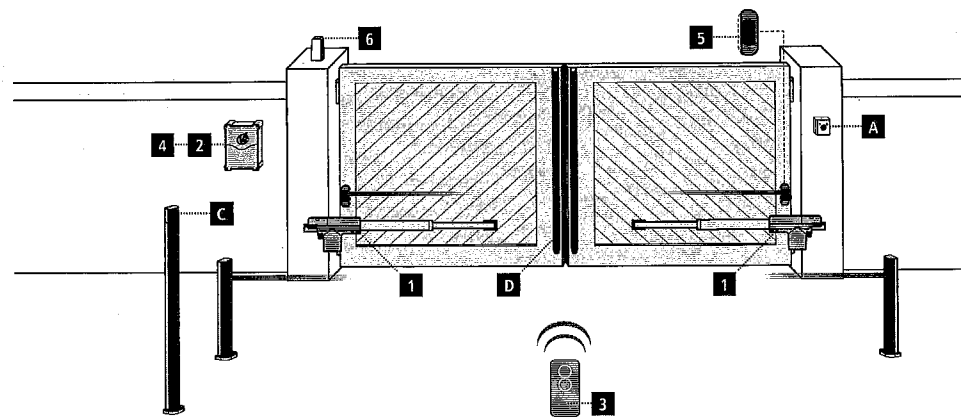


FIG.5

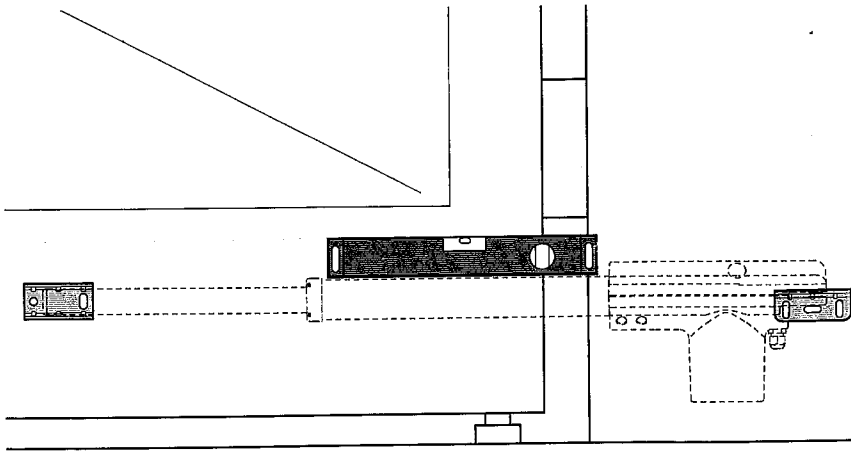


FIG.6

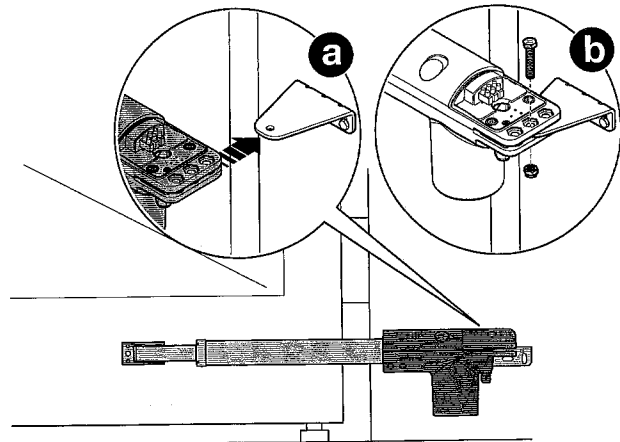


FIG.7

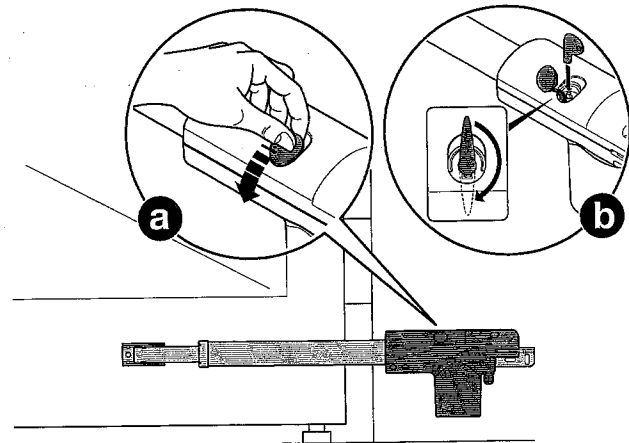


FIG.8

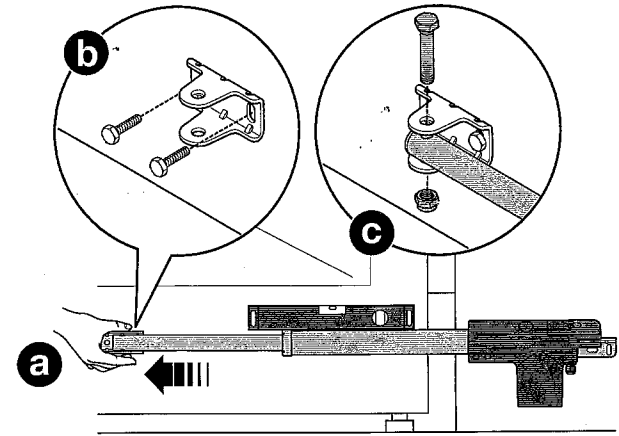


FIG.9

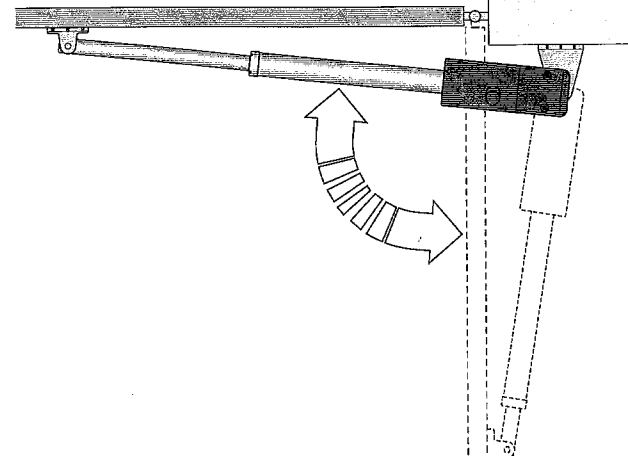


FIG.10

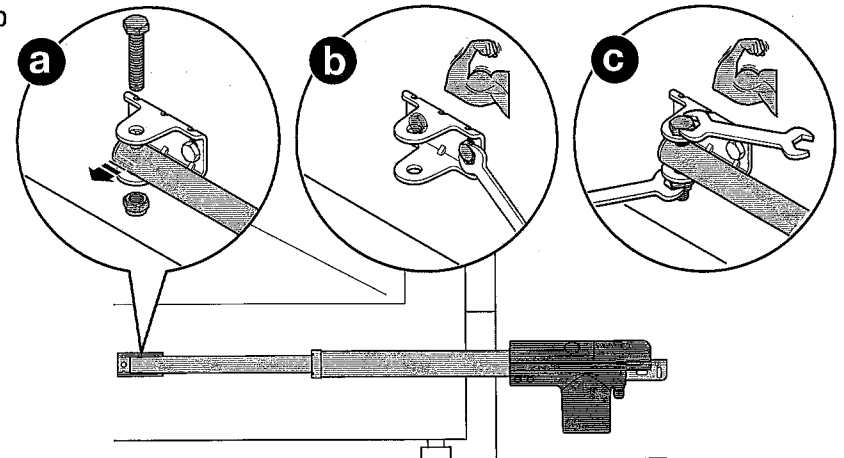


FIG.11

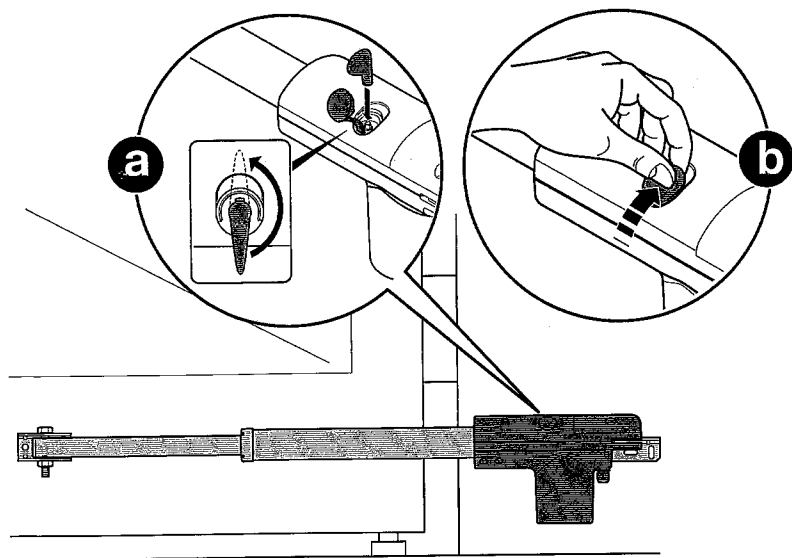


FIG.12

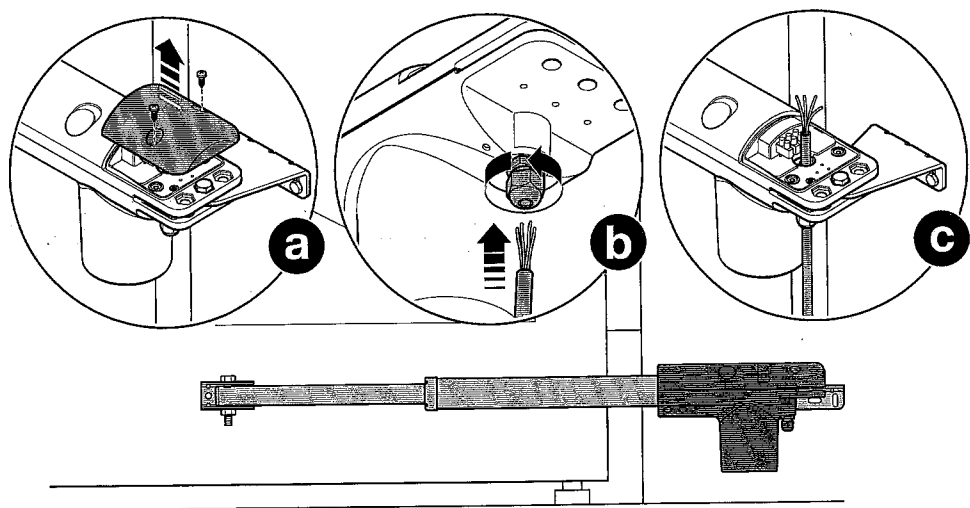


FIG.13

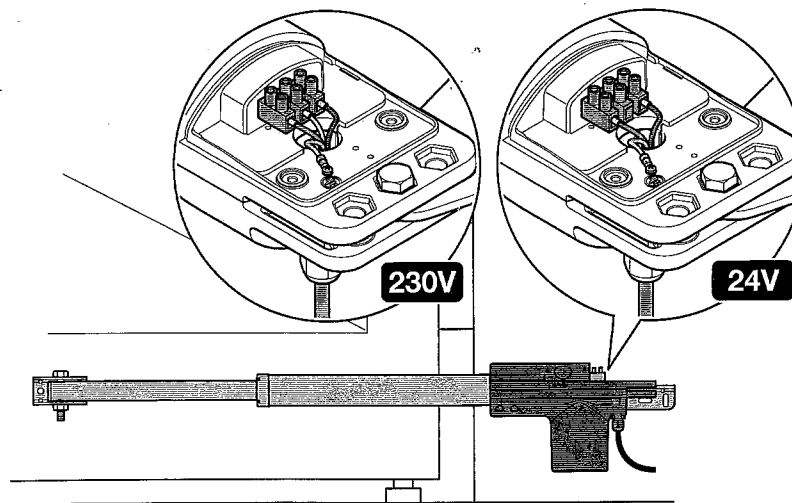
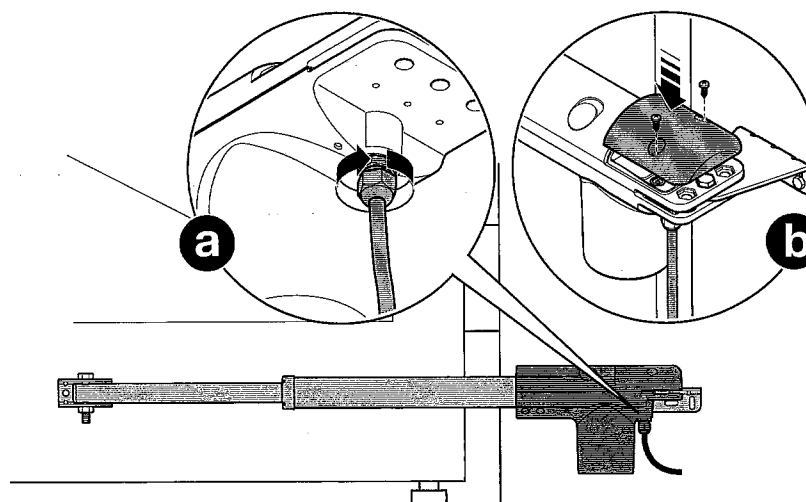


FIG.14



## IMPORTANT REMARKS

**⚠ Prior to proceeding with installation, it is essential the instructions be read in full, since they contain important information regarding safety, installation, use and maintenance.**

### AUTOMATION MUST BE IMPLEMENTED IN COMPLIANCE WITH THE EUROPEAN REGULATIONS IN FORCE: EN 60204-1, EN 12445, EN 12453, EN 13241-1, EN 12635

- The installer must provide for a device (es. magnetothermal switch) ensuring the omnipolar sectioning of the equipment from the power supply. The standards require a separation of the contacts of at least 3 mm in each pole (EN 60335-1).
- The plastic case has an IP44 insulation; to connect flexible or rigid pipes, use pipefittings having the same insulation level.
- Installation requires mechanical and electrical skills, therefore it shall be carried out by qualified personnel only, who can issue the Compliance Certificate concerning the whole installation (Machine Directive 2006/42/CEE, Annex IIA).
- Also the automation upstream electric system shall comply with the laws and rules in force and be carried out workmanlike.
- We recommend to make use of an emergency button, to be installed by the automation (connected to the control unit STOP input) so that the gate may be immediately stopped in case of danger.
- For correct installation of the system, we recommend following the instructions issued by UNAC very carefully.
- This instruction manual is only for qualified technicians, who specialize in installations and automations.
- The contents of this instruction manual do not concern the end user.
- Every programming and/or every maintenance service should be done only by qualified technicians.
- Anything not expressly described in these instructions is prohibited; unforeseen uses may be a source of danger to people and property.
- Do not install the product in explosive environments and atmospheres: the presence of inflammable gases or fumes is a serious safety hazard.
- Do not make any modifications to any part of the automation device, or the accessories connected to it, unless described in this manual.
- Any other modifications will void the warranty on the product.
- The installation steps should be conducted so as to avoid rainy weather, which can expose electronic circuits to dangerous water seepage.
- All operations requiring the casing of the device to be opened should be performed with the control unit disconnected from the electricity supply and with a warning notice displayed, for example: "CAUTION, MAINTENANCE IN PROGRESS".
- Avoid exposing the device close to sources of heat and flame.
- In the event of interventions on automatic or differential breakers or fuses, it is essential that faults be identified and resolved prior to resetting. In the case of faults that cannot be resolved using the information to be found in this manual, consult the V2 customer assistance service.
- V2 declines all responsibility for failure to comply with good construction practice standards in addition to structural deformation of the gate that might occur during use.
- V2 reserves the right to make modifications to the product without prior warning.
- Installation/maintenance personnel should wear individual protection devices (IPDs), such as overalls, safety helmets, boots and gloves.

- The ambient operating temperature should be that indicated in the technical characteristics table.
- The automation device should be shut down immediately in the event of any anomalous or hazardous situation; the fault or malfunction should be immediately reported to the person responsible.
- All safety and hazard warnings on the machinery and equipment should be complied with.
- Electromechanical actuators for gates are not intended to be used by people (including children) with diminished physical, sensory or mental capacity, or lacking in experience or knowledge, unless they are under supervision or have been instructed in use of the actuator by a person responsible for safety.

**V2 has the right to modify the product without previous notice; it also declines any responsibility to damage or injury to people or things caused by improper use or wrong installation.**



## DISPOSAL OF THE PRODUCT

As for the installation operations, even at the end of this product's life span, the dismantling operations must be carried out by qualified experts.

This product is made up of various types of materials: some can be recycled while others need to be disposed of. Find out about the recycling or disposal systems envisaged by your local regulations for this product category.

**Important!** – Parts of the product could contain pollutants or hazardous substances which, if released into the environment, could cause harmful effects to the environment itself as well as to human health.

As indicated by the symbol opposite, throwing away this product as domestic waste is strictly forbidden. So dispose of it as differentiated waste, in accordance with your local regulations, or return the product to the retailer when you purchase a new equivalent product.

**Important!** – the local applicable regulations may envisage heavy sanctions in the event of illegal disposal of this product.



## TECHNICAL SERVICE

For any installation problem please contact our Customer Service at the number +39-0172.812411 operating Monday to Friday from 8:30 to 12:30 and from 14:00 to 18:00.

## PRELIMINARY CHECKS AND IDENTIFICATION OF THE TYPE TO BE USED

The automation device should not be used until installation, as specified in "Testing and start-up", has been performed. It should be remembered that the device does not compensate for defects caused by improper installation, or poor maintenance, thus, prior to proceeding with installation, ensure that the structure is suitable and meets current standards and, if necessary, perform any structural modifications aimed at the implementation of safety gaps and the protection or segregation of all crushing, shearing and transit zones, and verify that:

- The gate is equipped with central and side stops.
- The gate has no friction points, either during closing or opening.
- The gate is well balanced, i.e. there is no tendency to move spontaneously when stopped in any position.
- The position identified for fixing the motor reducer allows easy and safe manual manoeuvring, compatible with the size of the motor reducer itself.
- The support on which the automation device will be fixed is solid and durable.
- The mains power supply to which the automation device is connected has a dedicated safety earthing system and differential breaker with tripping current less than or equal to 30 mA (the breaker gap distance should be greater than or equal to 3 mm).

**Warning: The minimum safety level depends on the type of use; please refer to the following outline:**

TYPE OF ACTIVATION COMMANDS	CLOSURE USE TYPE		
	GROUP 1 Informed people (use in private area)	GROUP 2 Informed people (use in public area)	GROUP 3 Informed people (unlimited use)
Man-present command	A	B	Not possible
Remote control and closure in view (e.g. infrared)	C or E	C or E	C and D or E
Remote control and closure not in view (e.g. radio)	C or E	C and D or E	C and D or E
Automatic control (e.g. timed closure control)	C and D or E	C and D or E	C and D or E

**GROUP 1** - Only a limited number of people are authorised for use, and closure is not in a public area. Examples of this type are gates inside business premises, where the sole users are employees, or a part of them who have been suitably informed.

**GROUP 2** - Only a limited number of people are authorised for use, but in this case, closure is in a public area. An example of this may be a company gate that accesses onto a public street, and which is only used by employees.

**GROUP 3** - Anyone can use the automated closure, which is thus located on public land. For example the access gate to a supermarket or an office, or a hospital.

**PROTECTION A** - Closure is activated by means of a control button with the person present, i.e. with maintained action.

**PROTECTION B** - With the person present, closure is activated by a command controlled by means of a key-switch or the like, in order to prevent use by unauthorised persons.

**PROTECTION C** - Restricts the force of the leaf of the door or gate. I.e., in the case of the gate striking an obstacle, the impact force must fall within a curve established by the regulations.

**PROTECTION D** - Devices, such as photocells, capable of detecting the presence of people or obstacles. They may be active on just one side or on both sides of the door or gate.

**PROTECTION E** - Sensitive devices, such as footboards or immaterial barriers, capable of detecting the presence of a person, and installed in such a way that the latter cannot be struck in any way by a moving leaf or panel. These devices should be active within the entire "danger zone" of the gate. The Machinery Directive defines "Danger Zone" as any zone surrounding and/or near machinery where the presence of an exposed person constitutes a risk to the health and safety of that person.

**The risk analysis should take into consideration all danger zones for the automation device, which should be appropriately protected and marked.**

**In a clearly visible area, apply a sign with information identifying the motorised door or gate.**

**The installer should provide the user with all the information relating to automatic operation, emergency opening and maintenance of the motorised door or gate.**

## EU DECLARATION OF CONFORMITY AND DECLARATION OF INCORPORATION OF PARTLY COMPLETED MACHINE

Declaration in accordance with Directives: 2014/35/UE (LVD);  
2014/30/UE (EMC); 2006/42/CE (MD) ANNEX II, PART B

The manufacturer V2 S.p.A., headquarters in Corso Principi di  
Piemonte 65, 12035, Racconigi (CN), Italy

Under its sole responsibility hereby declares that:  
the partly completed machinery model(s):  
MOOV-BX400-24V, MOOV-BX400-24V  
MOOV-BX500-230V, MOOV-BX500-230V

Description: electromechanical actuator for gates

- is intended to be installed on gates, to create a machine according to the provisions of the Directive 2006/42/EC. The machinery must not be put into service until the final machinery into which it has to be incorporated has been declared in conformity with the provisions of the Directive 2006/42/EC and 89/106/CE.
- is compliant with the applicable essential safety requirements of the following Directives:  
Machinery Directive 2006/42/EC (annex I, chapter 1)  
Low Voltage Directive 2014/35/EU  
Electromagnetic Compatibility Directive 2014/30/EU  
Directive ROHS2 2011/65/CE

The relevant technical documentation is available at the national authorities' request after justifiable request to:  
V2 S.p.A., Corso Principi di Piemonte 65, 12035, Racconigi (CN),  
Italia

The person empowered to draw up the declaration and to provide the technical documentation:  
**Sergio Biancheri**  
Legal representative of V2 S.p.A.  
Racconigi, il 01/06/2019

*Sergio Biancheri*

## TECHNICAL DATA

		MOOV-BX400-24V	MOOV-BX500-24V	MOOV-BX400-230V	MOOV-BX500-230V
Max. leaf length	m	3	4,5	3	4,5
Max. leaf weight	Kg	300	250	300	250
Power supply	Vac - Hz	24Vdc	24Vdc	230 - 50	120 - 60
Nominal current	A	1,1	1,1	1,1	1,1
Full load current	A	5	5	1,5	1,5
Nominal power	W	30	30	250	300
Maximum power	W	120	120	340	340
Capacitor	µF	-	-	7	7
Max travel	mm	400	500	400	500
Operating speed	m/s	0,014	0,014	0,016	0,018
Maximum thrust	N	1800	1800	2000	2000
Working temperature	°C	-20 ÷ +50	-20 ÷ +50	-20 ÷ +50	-20 ÷ +50
Protection	IP	44	44	44	44
Working cycle (cycles/hour)		continuous	continuous	24	24
Motor weight	Kg	5,5	6	5,5	6

## INSTALLATION

Before proceeding with the installation:

- Check that the area to which the gearmotor is to be mounted is large enough (fig. 2).
- Check the gate's opening movement and the force exerted by the motor: these depend on the position of the rear bracket. To set the maximum opening position of the gate wing, refer to fig. 3.
- Establish the rough installation position for each component of the system and the most appropriate connection layout.

Fig. 4 provides an example of an automation system using V2 components:

### COMPONENTS

- Motor
- Control unit
- Transmitter
- Receiving module
- Photocells
- Flashing light

### ADDITIONAL ACCESSORIES

- Key switch
- Pillar photocells
- Pillar-mounted digital radio switch
- Safety edges

## INSTALLATION OF GEARMOTOR

- Identify the front and rear bracket mounting positions (fig. 3)
- Secure the rear bracket with reference to its specified installation positions (fig. 3)
- Mount the gearmotor to the rear bracket (fig. 5 / 6)
- Manually release the gearmotor (fig. 7)
- Pull the rod completely out (fig. 8 - a)
- Provisionally locate the front bracket onto the gate (fig. 8 - b)
- Check that the gearmotor is level, then fit and secure the rod to the front bracket (fig. 8 - c)
- Check manually that (fig. 9):
  - when the gate is fully open, it halts against its mechanical stops
  - the gate swings freely and without resistance

Correct any defect

- Unhook the rod from the front bracket (fig. 10 - a) and mount the latter to the gate definitively (fig. 10 - b)
- Definitively mount the rod to the front bracket (fig. 10 - c)
- Lock the gearmotor (fig. 11)

Run this procedure for both gearmotors.

## MANUALLY RELEASING THE GEARMOTOR (FG. 7)

- Raise the rubber cap (fig. 7 - a)
- Fit the provided wrench and rotate it CW by 90° (fig. 7 - b)

Run this procedure for both gearmotors.

## MANUALLY LOCKING THE GEARMOTOR (FG. 11)

- Move the gate to the halfway open position by hand
- Raise the rubber cap (fig. 11 - a)
- Fit the provided wrench and rotate it CCW by 90° (fig. 11 - b)

Run this procedure for both gearmotors.

## ELECTRICAL CONNECTIONS

### ⚠ CAUTION!

- Incorrect connections can cause faults or hazards; therefore ensure that the specified connections are strictly observed.
- Hook up the unit with the electrical power shut off.

- Remove the gearmotor's cover (fig. 12 - a)
- Loosen the cable clamp (fig. 12 - b) and run the cable through it (fig. 12 - c)
- Hook up the cables and connect the earth cable to its eyebolt (fig. 13)
- Tighten down the cable clamp and restore the cover (fig. 14)